



# SN-IPR8050HCAW-B

5MP Full-color Eyeball Network Camera



## Key Features

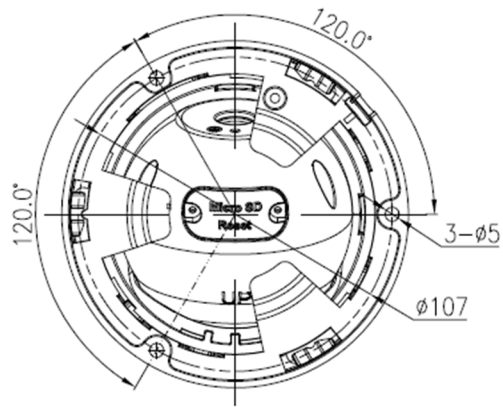
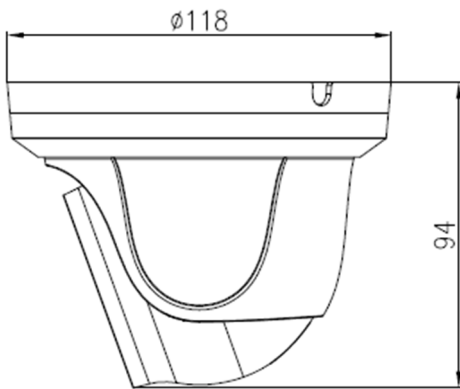
- 1/2.8" progressive scan CMOS
- Max. 5MP(2592×1944) @25/30fps resolution
- 4mm fixed lens, 2.8mm optional
- WDR, 3D DNR, ROI, HLC, BLC, Defog
- Support face, human, vehicle detection and capture
- Smart events: intrusion, single line crossing, double line crossing, loitering, wrong way, people counting
- Built-in warm lights, illumination distance up to 30m
- Built-in microphone
- 1/1 audio input/output, 1/1 alarm input/output
- Built-in SD card slot, IP66, PoE

# Specification

Camera	
Image Sensor	1/2.8" Progressive Scan CMOS
Max. Resolution	5MP (2592×1944)
Electronic Shutter	Auto/Manual, 1/5 ~ 1/20,000s
Min. illumination	Color: 0.003 Lux (F1.0, AGC ON), 0 Lux with Light on
Day & Night	IR cut filter
Illumination Distance	Up to 30 m (98.4 ft)
Illumination On/Off Control	Auto/Manual
Pan/Tilt/Rotation Range	Pan: 0° ~ 355°, Tilt: 0° ~ 80°, Rotation: 0° ~ 360°
Lens	
Lens Type	Fixed focus
Iris	Fixed Iris
Focal Length	2.8 mm      4 mm
F Number	F1.0      F1.0
Angle of View	H: 93.4°, V: 69.1°      H: 75.7°, V: 54.6°
Video	
Streaming Capability	3 Streams
Stream/Frame Rate	Stream1: 2592×1944, 2592×1520, 1920×1080, 1280×720 @ 25/30fps Stream2: D1, VGA, CIF @ 25/30fps Stream3: VGA, CIF, QVGA @25/30fps
Bit Rate Control	CBR/VBR
Bit Rate	Stream1: 200kbps~12Mbps Stream2: 100kbps~6Mbps Stream3: 100kbps~3Mbps
Region of Interest	Off/On (8 Zone, Rectangle)
Smart Encode	Support
Image	
Image Adjustment	Brightness, Sharpness, Contrast, Saturation adjustable
Aisle Mode	Support
Mirror	Support
White Balance	Auto/Manual
Day/Night Setting	Auto, Day, Night, Time
Smart Illumination	Support
Noise Reduction	2D/3D DNR
Image Enhancement	HLC, BLC, Defog
Wide Dynamic Range	True WDR
S/N Ratio	55dB
Motion Detection	Support
Privacy Masking	Support

Smart Function	
Multi-Object Detection	Supports face, human, vehicle detection and capture
Intelligent Analysis	Intrusion, Single line crossing, Double line crossing, Loitering, Wrong way, People counting Support alarm triggering by specified target types (human and vehicle)
Audio	
Compression	G.711, RAW_PCM
Bit Rate	8kbps, 16kps, 64kbps
Network	
Protocols	IPv4/IPv6, 802.1x, HTTP, HTTPS, TCP/IP, UDP/IP, RTSP, DHCP, NTP, RTP/RTCP, PPPoE, SMTP, DNS, UPnP, FTP, ARP, SNMP, TLS/SSL
Interoperability	ONVIF, SDK, CGI
Streaming Method	Unicast
Max. User Access	10 Users
Web Viewer	<IE11, Chrome, Firefox, Microsoft Edge
Language	English, Chinese, Polish, Italian, Portuguese, Spanish, Russian, French, Czech, Hungarian. Default: English
Interface	
Network Interface	1 Ethernet (10/100 Base-T) RJ-45 Connector
Audio Interface	1ch Input, 1ch Output
Built-in Microphone	Yes
Alarm Interface	1ch Input, 1ch Output
Reset Button	Support
SD Card Slot	Built-in, up to 256GB
Electrical	
Power Supply	DC12V (-25%~+10%)/POE (IEEE 802.3af)
Power Consumption	Max 7.5 W
Operating Temperature	-40°C ~ 55°C (-40°F ~ 131°F )
Operating Humidity	Less than 90% RH
Ingress Protection	IP66
Certifications	CE/FCC
Casing	Metal + Plastic
Dimensions	φ 118×94 mm (4.65×3.7 inch)
Net Weight	0.55 kg (1.21 lb)

## Dimensions (mm)



## Accessories

### Optional:



SN-CBK646M  
Junction Box



SN-CBK203  
Pendant Cap



SN-CBK402  
Pendant Mount



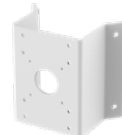
SN-CBK501  
Wall Mount



SN-CBK502  
Wall Mount



SN-CBK101  
Pole Mount



SN-CBK102  
Corner Mount